

DAMAGE MECHANISM REVIEWS

WORKING WITH YOU TO IDENTIFY DAMAGE MECHANISMS AND DEVELOP A PLAN

For more than two decades, E²G | The Equity Engineering Group, Inc. has been working with customers to identify active and potential damage mechanisms and develop corrosion control documents (CCDs). E²G has damage mechanism templates for nearly every unit in a refinery.

WHY PERFORM A DAMAGE MECHANISM REVIEW(DMR)?

It is the best starting point for accomplishing the following:

- » Developing inspection plans
- » Identifying areas of vulnerability
- » Developing IOWs & CCDs

HOW IT'S DONE

- » You give us your PFDs and process info
- » We review operating conditions and metallurgy
- » We provide color-coded PFDs

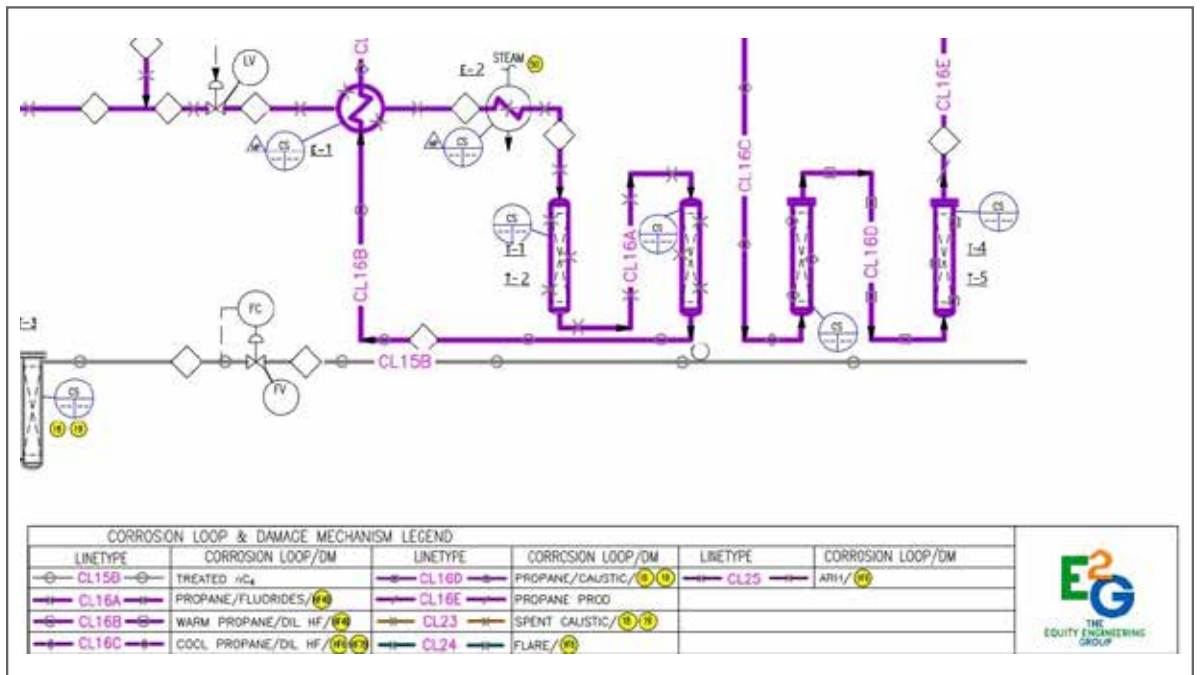
REFINERY DAMAGE MECHANISMS

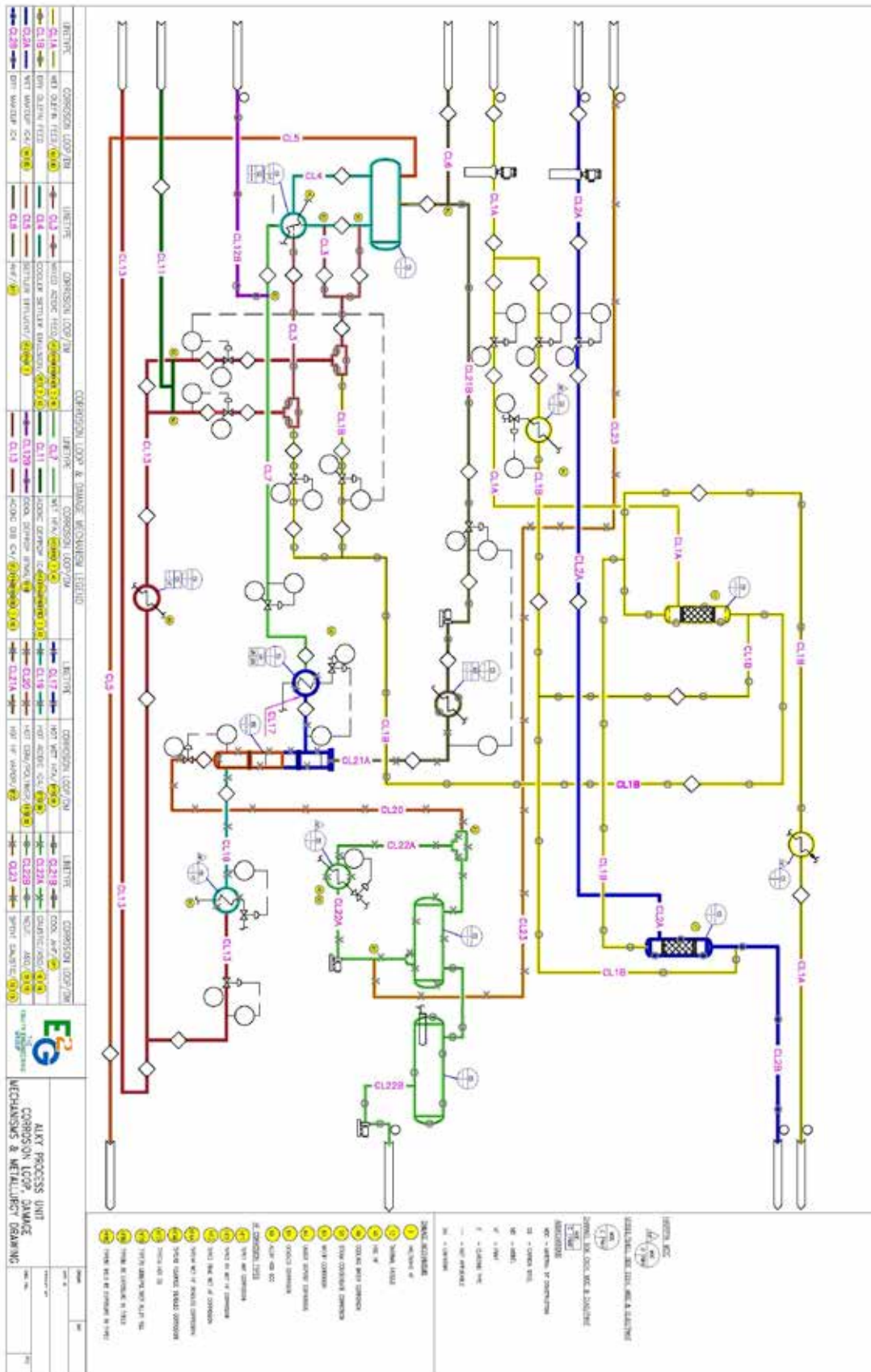
E²G engineers were the primary authors of API 571, *Damage Mechanisms Affecting Fixed Equipment in the Refining Industry*. Our Materials & Corrosion Engineers are well-known industry experts who have previously worked in refineries.

E²G HAS BEEN DEVELOPING INTEGRITY OPERATING WINDOWS FOR YEARS

Integrity Operating Windows (IOWs) are establishing limits for process variables that can affect the integrity of equipment if the process operation deviates from the established limits. A thorough understanding of corrosion and other damage mechanisms is needed to establish IOW limits.

ANSWERS FOR TODAY.





SMART TECHNOLOGY. ANSWERS FOR TODAY. INSIGHTS FOR TOMORROW.

CORPORATE HEADQUARTERS

20600 Chagrin Boulevard, Suite 1200
Shaker Heights, OH 44122

SATELLITE OFFICE

Houston, TX

CONTACT

216.283.9519
Sales@E2G.com
www.E2G.com

